

Key Features

- Round-cornered rectangular-design housing provides large capacity; maximum work area to install and maintain CATV distribution equipment
- Louvers with Mylar screen in upper front cover and backplate provide optimum ventilation for internal equipment
- Padlock hasp and factory provided knockouts provide maximum security and flexibility; knockouts permit installation of K-Lock, Inner-Tite or locks
- Removable upper cover for efficient equipment installation
- Units may be self-supporting or stake mounted for installation versatility
- Provisions in backplate for accessory mounting brackets allow easy internal mounting of distribution equipment
- 32-in. mounting stake with AS bracket or SM plate (TV104SB and TV104SSM versions) offer a complete installation package
- Our unique multistage gray-green finishing process meets or exceeds EPA standards, and provides a tough corrosion-resistant finish for longer life

Description

The TV104 and TV106 series classic CATV pedestals are round-cornered rectangular-design above-ground housings that provide maximum capacity and work area to install and maintain combinations of CATV distribution equipment. Pedestals are manufactured of heavy gauge mill-galvanized steel, treated with a unique finishing process for longer life. The housing components are: backplate/lower front cover assembly, upper front cover/cap assembly with hand pocket, and internal mounting hardware and brackets. All versions have louvers with a Mylar screen for maximum ventilation of internal equipment. Provisions in the backplate accommodate accessory brackets to mount distribution equipment. Factory provided knockouts and padlock hasp offer several security options.

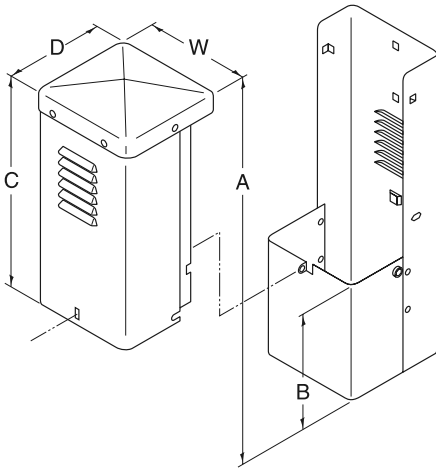
The TV104SB has a 32-in. mounting stake and AS bracket. The TV104SSM has a 32-in. mounting stake and SM plate. The TV106 is factory equipped with two 32-in. mounting stakes.

Application

The TV104 and TV106 series closures serve as above-ground pedestal housings for combinations of CATV distribution equipment, including taps, couplers, splitters, line extenders, amplifiers and interdiction devices.



TV104 & TV106 Series Pedestals



Specifications

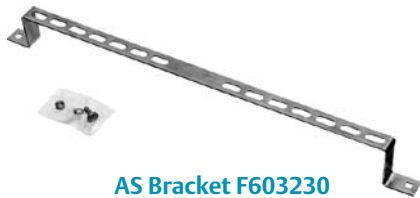
Catalog Number	Part Number	A	B	C	D	W
TV104	F605840	36-3/4-in.	8-in.	28-in.	10-1/2-in.	10-1/2-in.
TV104SB*	F605827	36-3/4-in.	8-in.	28-in.	10-1/2-in.	10-1/2-in.
TV104SSM**	F605848	36-3/4-in.	8-in.	28-in.	10-1/2-in.	10-1/2-in.
TV106***	F602910	38-3/4-in.	8-in.	30-in.	10-3/4-in.	16-3/4-in.

* TV104SB is equipped with a 32-in. stake and AS bracket.

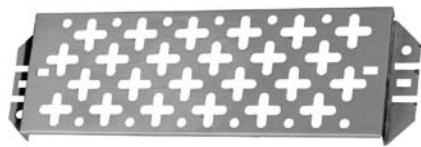
** TV104SSM is equipped with a 32-in. stake and SM plate.

*** TV106 is equipped with two 32-in. mounting stakes.

NOTE: All locks, optional mounting stakes, and brackets must be ordered separately and will be shipped separately. For factory assembled stake, bracket, and lock option, call customer service at 800-800-1280.



AS Bracket F603230



SM Plate F603240

Accessories

Catalog Number	Part Number	Description
Stakes:		
MS1324TV	F603270	24-in. mounting stake with 3/8-in. mounting hardware
MS1332TV	F602130	32-in. mounting stake with 3/8-in. mounting hardware
MS1342TV	F604085	42-in. mounting stake with 3/8-in. mounting hardware
Mounting Brackets:		
L	F601980	3-in. L bracket with 1/4-in. mounting hardware
OS	F606793	Offset bracket with 1/4-in. mounting hardware
Locks:		
ITLPEDS	F539590	Inner-Tite lock with mounting bracket and hardware
DCBLCN	F600055	Star Lock bolt with 801 pattern, push nut & mounting clip

Emerson Network Power.

The global leader in enabling business-critical continuity.

- AC Power Systems
- Embedded Power
- Precision Cooling
- Connectivity
- Integrated Cabinet Solutions
- Services
- DC Power Systems
- Outside Plant
- Site Monitoring
- Embedded Computing
- Power Switching & Control
- Surge Protection

Emerson Network Power Energy Systems

4350 Weaver Parkway, Warrenville, IL 60555
 Toll Free: 800-800-1280 (USA and Canada)
 Telephone: 440-246-6999 Fax: 440-246-4876
www.EmersonNetworkPower.com/EnergySystems

© 2006 Emerson Network Power Energy Systems, North America, Inc. All rights reserved.

The Emerson logo is a trademark and a service mark of Emerson Electric Co. Emerson Network Power is a division of Emerson Electric Co.

Printed in USA

